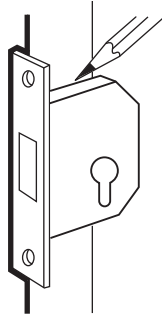


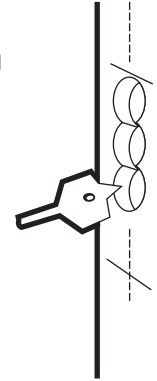
- 1** Use drilling template (see reverse) or hold the lock at the required position.

Draw horizontal lines on the door edge marking the top and bottom of the lock body.

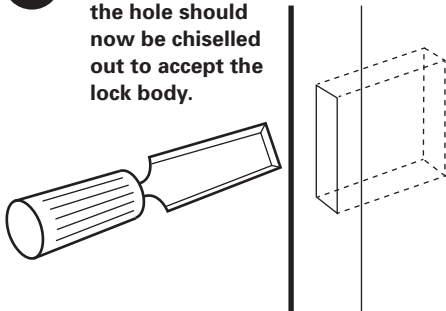


- 2** Mark a vertical line at the centre of the door edge between the two horizontal lines.

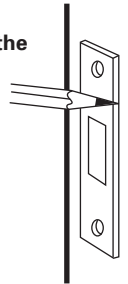
Using the attached drilling template and a 18mm bit, drill a series of holes **A** along this line to the depth of the lock body **B** or **C** depending on depth of lock body.



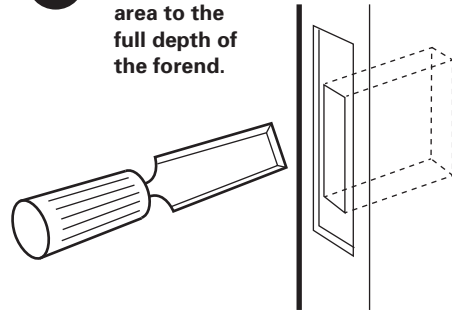
- 3** The remainder of the hole should now be chiselled out to accept the lock body.



- 4** Insert the lock and mark around the forend.

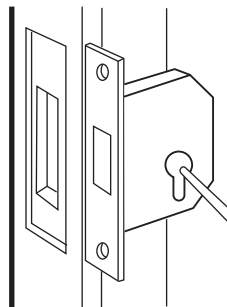


- 5** Chisel out this area to the full depth of the forend.

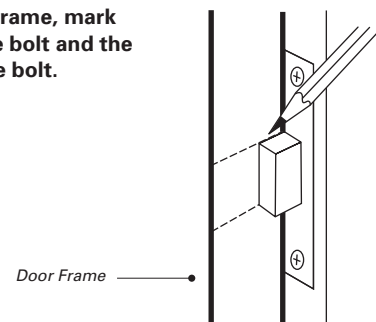


- 6** Use drilling template (see reverse) or hold the lock against the door and mark the positions for the keyhole* **D** or **E**.

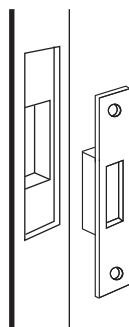
Prepare the hole. Fit the lock and cylinder and ensure that the bolt works correctly. Remove the false forend. Screw the lock into position and replace the false forend.



- 7** On the door frame, mark the top of the bolt and the bottom of the bolt.



- 8** Using these guidelines check out and fit the striker plate.



Residential Door Hardware Warranty

Sylvan residential door hardware products are covered by the following warranty.

- 10 year mechanical.
- 5 year finish (see exclusions below).

Subject to the following conditions:

If a finish or mechanical defect occurs within the warranty period, simply return the product together with proof of purchase to the point of purchase. Upon receipt of defective product it will be either repaired or replaced free of charge. This warranty only applies to the original user of the product, and is non transferable.

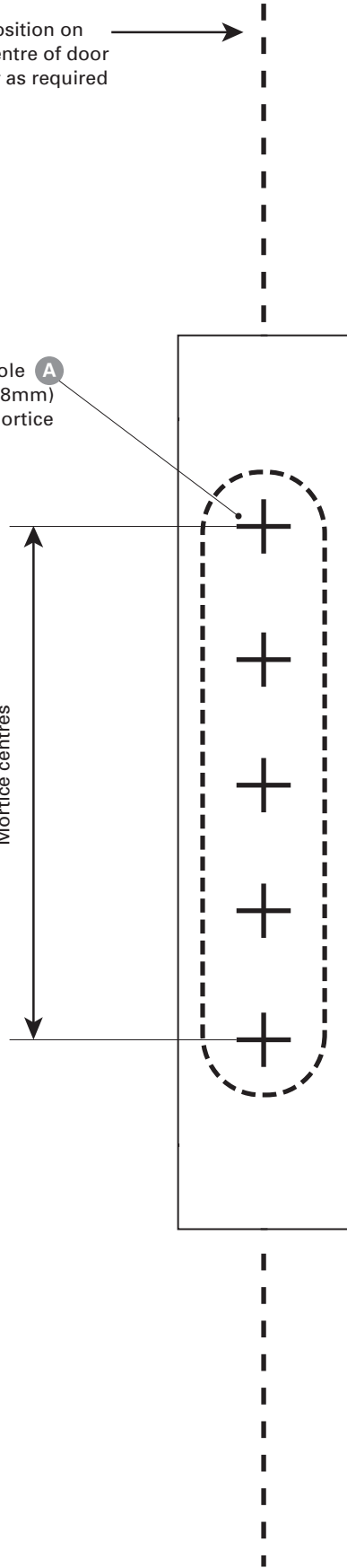
The Sylvan residential door hardware warranty excludes the following:

Indirect or consequential loss or damage • Cost of removal and or replacement • Cost of freight and or travel time • Improper installation or failure to follow fitting instructions • Abuse or misuse of the product • Use of the product for the purpose which the product was not designed • Scratches from keys/rings, abrasions or deterioration due to use of paint, solvents or other chemicals • Use of the product in exposed coastal or geothermal conditions • The plated finishes of Polish Brass and Black Nickel are classified as soft finishes. As deterioration is possible under some climatic conditions, these finishes are excluded from this warranty.

Position on
centre of door
or as required

Hole **A**
(18mm)
mortice

Mortice centres



Bend template on this line

B Lock body depth 78mm for S731/3"

C Lock body depth 65mm for S731/2.5"

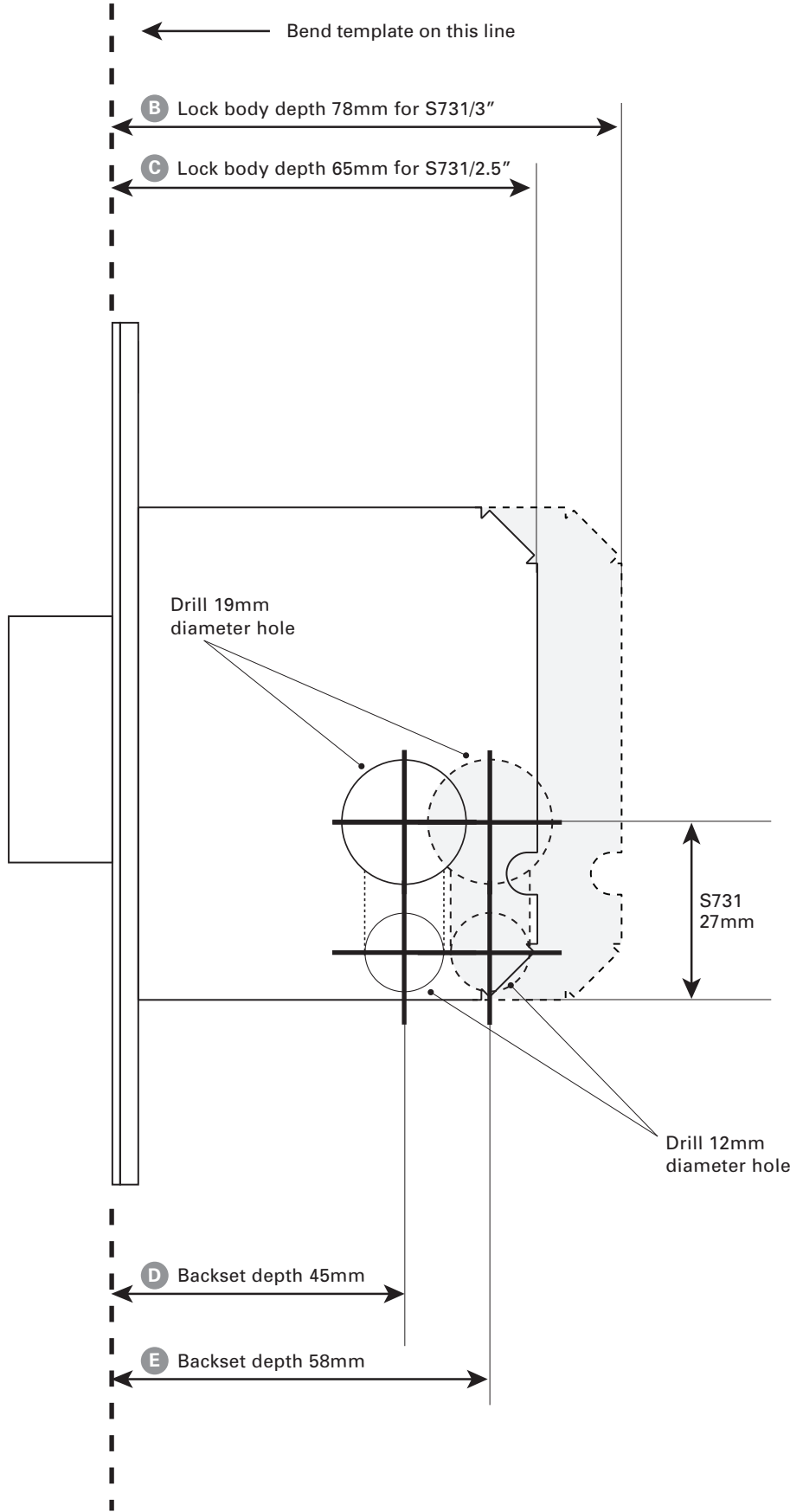
Drill 19mm
diameter hole

S731
27mm

Drill 12mm
diameter hole

D Backset depth 45mm

E Backset depth 58mm



Note: If reprinting this template, ensure you print 1:1 ratio, and double check the drilling template with an accurate ruler.

