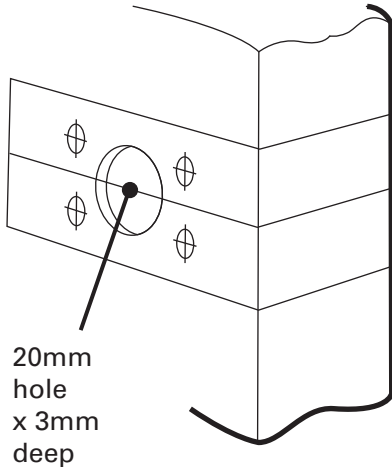


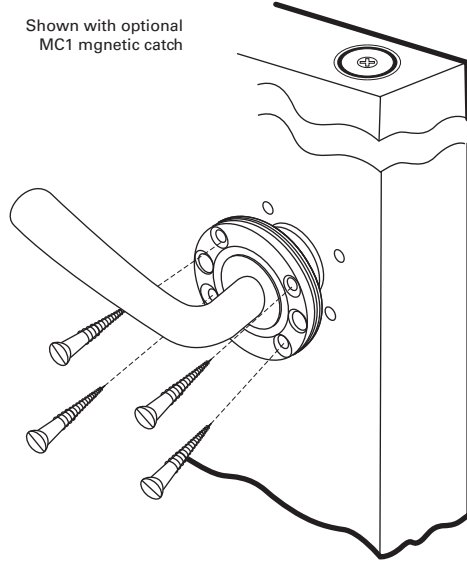


# Centro Dummy Trim

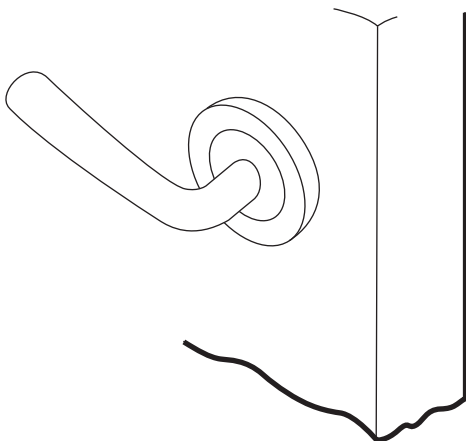
## 1 Mark and drill door



## 2 Drill and fit 4 wood screws



## 3 Fit cover plate over handle



*With this fixed dummy set we recommend using our magnetic catch product code MC1*

Lever Furniture

Installation Instructions

# Installation Template

